

DATE 5-19-49
 DRAWN BY L.W. CKD BY N
 APPROVED
 SCALE N

REV. NO. 1
 DATE 2-11-53
 DESCRIPTION REDRAWN & REVISED
 REV. C DIM. TO AGREE WITH
 AUR DWG (C-424L) EA. DIM BT

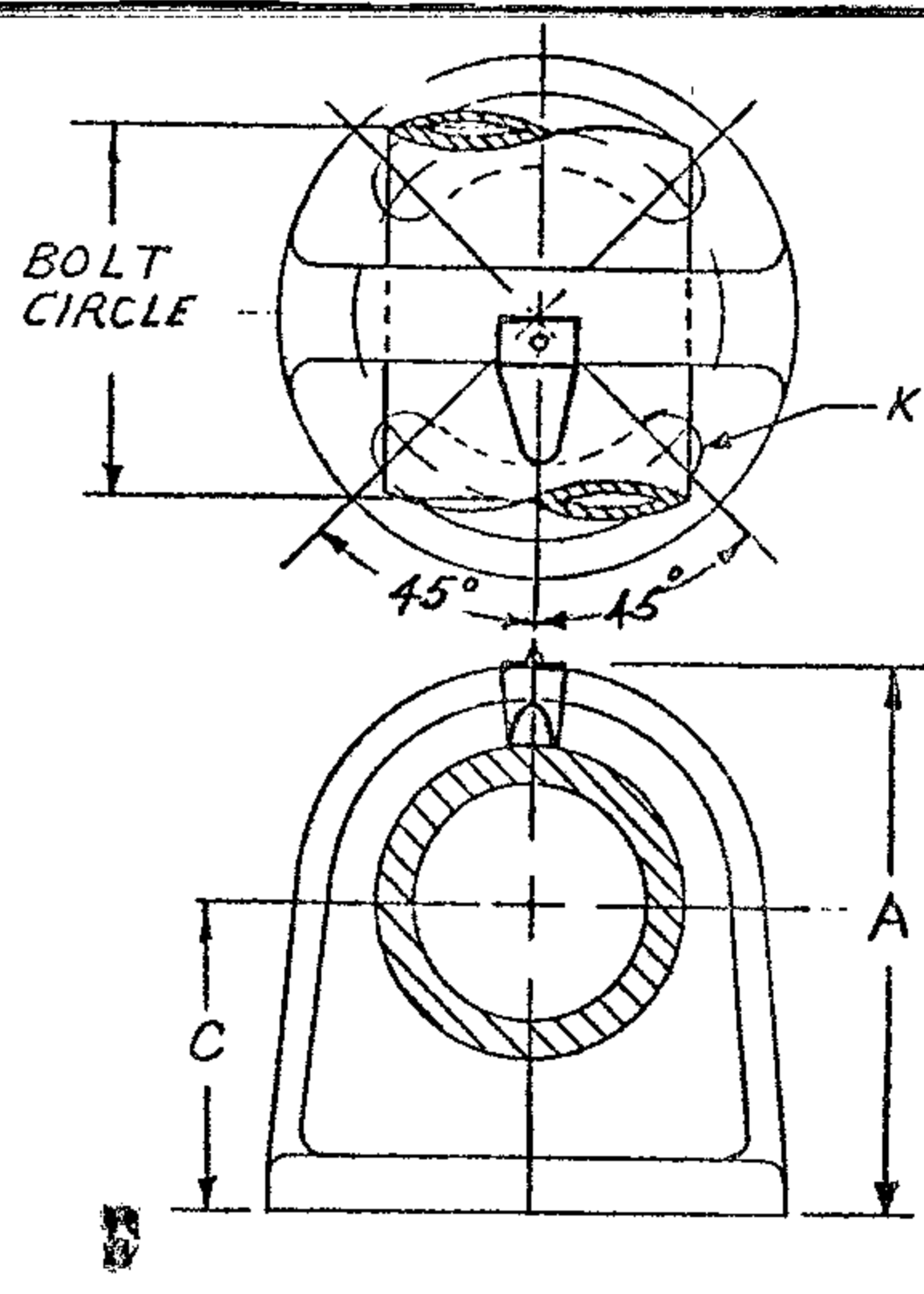
REV. NO. 2
 DATE 5-29-56
 DESCRIPTION
 REV. C DIM. TO AGREE WITH
 AUR DWG (C-424L) EA. DIM BT

REV. NO. 3
 DATE 4-9-57
 DESCRIPTION ADDED ATSF-50-5
 CHANGED NOTIC

REV. NO. 4
 DATE 4-30-57
 DESCRIPTION DIM. "A" WAS 8 3/8"
 5-26-71 R-13 ATSC-10-5 "A" WAS 3 3/8"

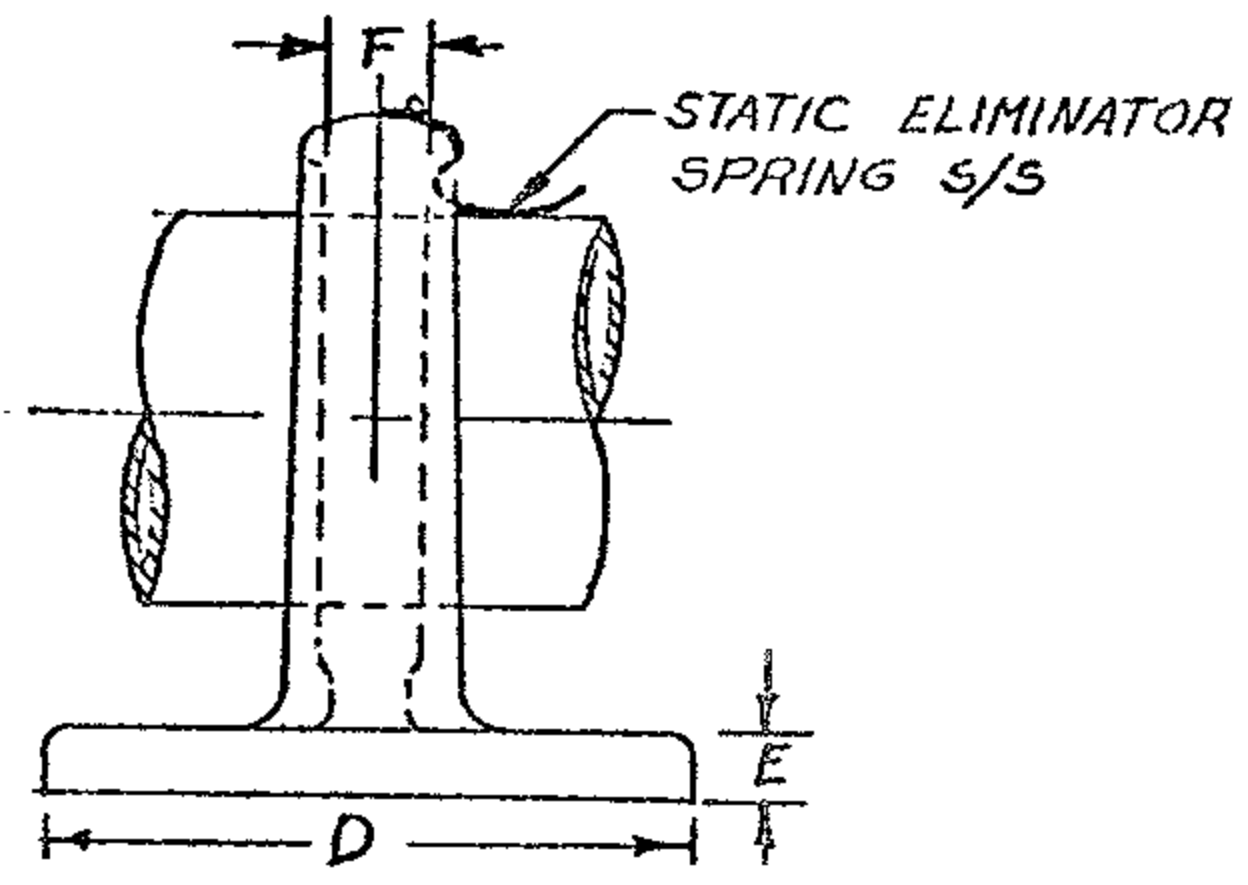
BY WNA
 04-5 WNA
 2 1/2" KE
 2-14-68 R/G RT
 A DIM-06-5 WAS 3 1/2"

BY EL
 5-26-71 R-13 ATSC-10-5 "A" WAS 3 3/8"



NOTES:

- SUPPLIED WITH CAP SCREWS FOR UPRIGHT MOUNTING UNLESS OTHERWISE SPECIFIED FOR BASE MOUNTING TO PIN TYPE INSULATOR ADD SUFFIX "B" TO CATALOG NO. FOR BOLTS, NUTS AND WASHERS
- STATIC ELIMINATOR SPRING CAN BE OBTAINED BY ADDING SUFFIX "SE" TO CAT. NO. EX. ATSF-06-3-SE
- CASTING #356-T6 ALUMINUM ALLOY
- MOUNTING HARDWARE - GALV. STEEL



CATALOG NUMBER	DIA. OF BOLT CIRCLE	BUS SIZE I.P.S.	DIMENSIONS IN INCHES					
			A	C	D	E	F	K
ATSF-04-3	3	1/2	2 3/4	1 3/4	4 1/4	5/16	1/2	9/16
ATSF-04-5	5	1/2	3 1/2	2 1/8	6 1/4	5/16	1/2	1 1/16
ATSF-06-3	3	3/4	3 3/16	2	4 1/4	5/16	1/2	9/16
ATSF-06-5	5	3/4	3 7/16	2 1/4	6 1/4	5/16	1/2	1 1/16
ATSF-10-3	3	1	3 3/8	2	4 1/4	5/16	1/2	9/16
ATSF-10-5	5	1	3 7/16	2 1/4	6 1/4	5/16	1/2	1 1/16
ATSF-12-3	3	1 1/4	3 5/8	2 1/4	4 1/4	5/16	1/2	9/16
ATSF-12-5	5	1 1/4	3 5/8	2 3/8	6 1/4	3/8	1/2	1 1/16
ATSF-14-3	3	1 1/2	4 1/16	2 1/2	4 1/4	3/8	1/2	9/16
ATSF-14-5	5	1 1/2	4 1/8	2 1/2	6 1/4	3/8	1/2	1 1/16
ATSF-20-3	3	2	4 5/8	2 3/4	4 1/4	3/8	5/8	9/16
ATSF-20-5	5	2	4 5/8	2 3/4	6 1/4	3/8	5/8	1 1/16
ATSF-24-3	3	2 1/2	5 3/8	3 1/8	4 1/4	3/8	3/4	9/16
ATSF-24-5	5	2 1/2	5 3/8	3 1/8	6 1/4	3/8	3/4	1 1/16
ATSF-30-3	3	3	6 1/4	3 5/8	4 1/4	7/16	1	9/16
ATSF-30-5	5	3	6 1/8	3 5/8	6 1/4	7/16	1	1 1/16
ATSF-34-3	3	3 1/2	7 1/16	4	4 1/4	7/16	1	9/16
ATSF-34-5	5	3 1/2	6 7/8	4	6 1/4	7/16	1	1 1/16
ATSF-40-3	3	4	7 5/8	4 1/2	4 1/4	7/16	1 1/8	9/16
ATSF-40-5	5	4	7 5/8	4 1/2	6 1/4	7/16	1 1/8	1 1/16

SLIP FIT BUS SUPPORT
TYPE - ATSF

ANDERSON BRASS WORKS, INC.
BIRMINGHAM, ALABAMA

CAT. NO. DWG. NO. C-2400

CATALOG NUMBER	DIA. OF BOLT CIRCLE	BUS SIZE I.P.S.	DIMENSIONS IN INCHES					
			A	C	D	E	F	K
ATSF-50-5	5	5	8 3/4	4 7/8	6 1/4	7/16	1 1/8	11/16
ATSF-30-7	7"	3"	6 1/8	3 5/8	8 1/2	7/16	1	13/16
ATSF-50-7	7"	5"	8 3/4	4 7/8	8 1/2	7/16	1 1/8	13/16
ATSF-60-5	5"	6"	9 5/8	5 3/8	6 1/4	7/16	1 1/8	11/16
ATSF-24-5-5E	5"	2 1/2"	5 3/8	3 1/8	6 1/4	3/8	3/4	11/16
ATSF-20-5-5E	5	2	4 5/8	2 3/4	6 1/4	3/8	5/8	11/16

REVISIONS			DATE	NO.	DESCRIPTION	BY
9-16-69 R.H. ADDED PARSE 20-5-5E R/12			7-7-61	7	"C" 34-3 WAS 4 1/2 J A:7 3/8	JRC
			11-20-64	8	ADDED 60-5	MM
			1-6-65	9	60-5 'A' DIM. WAS 9 1/4	RC
REVISIONS			DATE	NO.	DESCRIPTION	BY
ADDED "ATSF-30-7" & "ATSF-50-7" "A" DIM. - "ATSF-30-7" WAS 7 1/4 "C" WAS 4			4-24-58	5	ADDED "ATSF-30-7" & "ATSF-50-7" "A" DIM. - "ATSF-30-7" WAS 7 1/4 "C" WAS 4	WDR
			6-20-61	6		FR

DATE 4-9-57	SLIP FIT BUS SUPPORT TYPE ATSF	ANDERSON ELECTRIC CORP. BIRMINGHAM ALABAMA	
DWN BY EL CKD BY		CAT. NO.	DWG. NO. C-2400
APPROVED			
SCALE			